



# Home Elevator

Specifically engineered for residential applications

# Why a residential elevator?



## Simplify Daily Routines

- 1 Reduce heavy lifting when transporting storage, laundry or groceries
- 2 Simplify multi-level entertaining
- 3 Bring purchases home in one smooth trip
- 4 Makes daily routines easier

# Why a Garaventa Lift



**Garaventa Lift has been moving people since 1928. Our products have always stood the test of time.**

We began by building ropeways in the Swiss Alps. Garaventa Lift has since become a global organization, representing reliability, safety, and innovation.

A Garaventa Home Elevator will quickly become part of everyday life. Choose from a variety of materials and finishes to fit any budget and style.

# Cab Wall Selections

Elevator cabs are available with a variety of wall types. Shown with optional matching ceilings. Standard ceilings are white or black melamine.



## Raised Panel

Raised panel walls give a traditional look of robust wood panelling.

Available Species



Maple Red Oak Cherry



## Recessed Panel

Recessed center panels give a clean, modern take to a traditional look.

Available Species



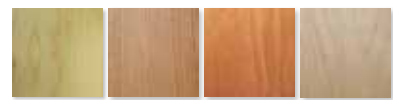
Maple Red Oak Cherry



## Veneer Panel

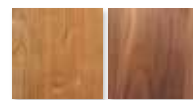
Wood veneer offers a sleek wood option or a base to add moldings.

Standard Veneers



Maple Red Oak Mahogany Birch

Optional Veneers



Cherry Walnut



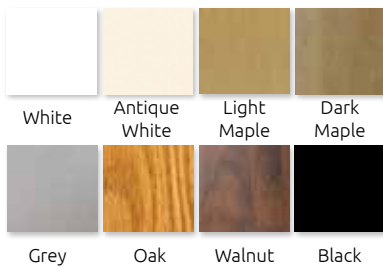
Makore Bamboo Hickory



### Melamine Panel

Perfect for a durable, simple finish that is easy to maintain. Shown with mirror by others placed on back wall.

#### Standard Colors



Note: Melamine walls are ONLY available in white or black when used with Upgrade or Premium sliding door packages.



### Glass Panel

For a clean, modern, and open concept layout. Aluminum frames can be painted in white, black, or custom color. Mirror panels surround the control panel.



### Design It Yourself

Want an elevator, but undecided on the finishing? We provide the basics, and your builder finishes to your specifications.

# Options

## 1 Wall Materials

Wood Veneers	Maple	Red Oak	Cherry	Mahogany	Birch	Walnut	Hickory	Makore	Bamboo
Raised Panel	•	•	•						
Recessed Panel	•	•	•						
Standard Veneer	•	•		•	•				
Optional Veneer			•			•	•	•	•

Melamine Colors	White	Antique White	Light Maple	Dark Maple	Grey	Oak	Walnut	Black

NOTE: Due to cab wall thickness requirements for sliding doors, melamine walls are only available in white or black when combined with Upgrade or Premium sliding door packages.

### Further Options

Aluminum and Glass Walls	Beautiful panoramic cab features glass panels on non-entry / exit walls and mirror panels surrounding the Car Operating Panel. All fasteners are concealed. Aluminum framing can be painted white, black or an optional RAL color of your choice.
MDF walls	Would you prefer that your elevator interior match the surrounding area? We can provide a basic elevator cab with unfinished MDF walls. Have your builder or carpenter finish the cab to your specifications.



## 2 Standard Fixtures

### Car Operating Panels



Includes a digital floor display, floor selection buttons and emergency stop/alarm button. Ensure passenger safety and security with an integral telephone. Finished in brushed stainless steel.

### Hall Station



Hall station buttons illuminate when pushed. The wall plates and push buttons are made of stainless steel for maximum durability. An optional key switch controls access.

### Handrails

A handrail is located on the control wall. Additional handrails can be mounted for extra passenger safety.

### Ceiling Lights



Four recessed low-voltage L.E.D. light fixtures illuminate when the car gate is opened. Standard colors are white or black. Optional in chrome.



## 3 Premium Fixtures

### Car Operating Panels



COP matches hall stations. Includes a digital floor display, floor selection buttons with a mirror finish backplate and emergency stop/alarm button. Only available with integral telephone. Four finishes available including brushed stainless steel, bright gold, midnight blue or antique black.

### Hall Station



Hall station buttons illuminate when pushed. The push buttons are made of stainless steel for maximum durability. Wall plates are offered in four finishes: brushed stainless steel, bright gold, midnight blue and antique black. An optional key switch controls access. A floor indicator display is also optional.

### Handrails



A handrail is located on the control wall. Additional handrails can be mounted for extra passenger safety. Premium handrails are curved and return to the mounting wall, available in four finishes: brushed or polished stainless steel or brass.

## 4 Doors and Gates

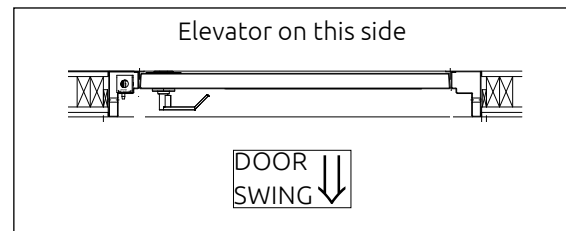
### Codes regarding residential elevator entrances

The code requirements governing swinging hallway entrance doors for private residence elevators may differ from jurisdiction to jurisdiction. Check with local authorities or residential elevator contractors to determine the requirements in your area while planning your elevator installation.

In North America, requirements are based on The Safety Code for Elevators and Escalators, ASME A17.1/CSA B44.

Swinging hallway elevator doors are now required to be positioned substantially flush to the inside of the hoistway wall, while opening out. This requires the use of a special door frame. The use of sliding hallway doors, available with the Premium Door Package, eliminates this issue.

Flush swinging door frames are available from Garaventa Lift. These are paint-ready 16 gauge steel door frames which can be ordered with or without door closers or automatic door operators. The flush frames include a certified elevator interlock, three 4-1/2" ball bearing hinges with non-removable pins (brushed stainless steel 26D finish), a flush door pull for the hoistway side of the door (aluminum), and a roller latch & strike (26D).



### Standard Package – swinging hall doors with accordion car gate(s)



Flush door frames are available to be used with doors by others. They are also available with a prehung six-panel paint-ready steel door included (shown above). All door frames are fitted with special interlocks. They will open only when the elevator car is at the same landing.

For doors by others, 1-3/4" thick solid core or solid wood core doors are required. Doors by others can also be equipped with a door closer or an automatic door operator.



The standard door package always includes accordion car gate(s). Accordion gates travel with the car from floor to floor. They are also available with automatic operators which activate when the elevator reaches the desired floor, and close after a designated time delay.

Accordion gates must be fully closed in order for the elevator to operate.

### Standard Gate Panels



White      Antique White      Black

### Optional Gate Panels



Bronze Acrylic      Clear Acrylic      Perforated Aluminum

Accordion gates are available with black, white, or antique white panels. Optional: bronze acrylic, clear acrylic, or perforated aluminum panels. Custom finishes available. All accordion gates are available with or without 3 clear acrylic vision panels located closest to the gate handle.



### Upgrade Package – swinging hall doors with sliding elevator car door(s)



As with the Standard Door Package, residential swinging passage doors are used as hall doors. During the installation of your elevator, the doors are fitted with special interlocks. They will open only when the elevator

car is at the same landing. Solid core or solid wood core doors are required. The hall doors can be equipped with an optional automatic door operator. With the upgrade door package, all car entrances are equipped with automatic 3-speed sliding elevator doors. The hallway landing doors are swinging passage doors with flush frames.

The sliding car doors automatically open when the elevator reaches the destination landing, or when the elevator is summoned using the hall station. A safety light curtain ensures that there are no obstructions inside the door opening while the door is closing. If the light curtain senses an obstruction while the doors are closing, the doors will automatically re-open. Sliding car door panels are available in white, black, brushed stainless steel or glass framed with stainless steel.

### Premium Package - sliding elevator hall doors and sliding elevator car door(s)



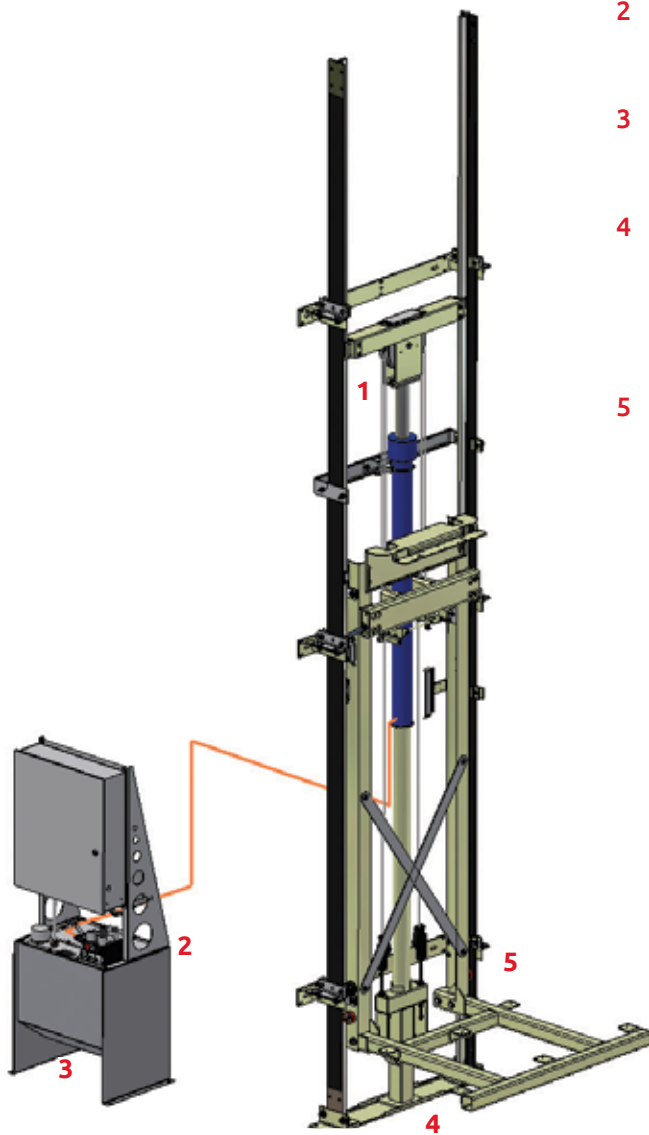
The premium door package is the ultimate in safety and convenience. Automatically code-compliant, these elevator entrances operate like the familiar sliding door entrances for commercial passenger elevators. All car doors and hallway doors are automatic 3-speed sliding elevator doors. The hallway landing doors engage with the car doors as the elevator approaches each landing. Once the elevator has stopped at a landing, the automatic sliding elevator doors operate in tandem. A safety light curtain ensures that

there are no obstructions inside the door opening while the door is closing. If the light curtain senses an obstruction while the doors are closing, the doors will automatically re-open. Sliding hall door panels are available in primed steel, brushed stainless steel or glass framed with stainless steel. The cab shown above has aluminum framing and safety glass wall panels. The wall with the control panel has safety mirror panels instead of glass.

## 5 Drive Systems

---

### Hydraulic Drive System



- 1 1:2 Cable Hydraulic Drive
- 2 Two-speed hydraulic control valve provides smooth, comfortable starting and stopping.
- 3 Submersed hydraulic pump and motor ensures quiet operation.
- 4 Recommended pit depth: 8" (203 mm) to 10" (254 mm). Shallower depths may be feasible. Deeper pits are required for larger cab sizes and sliding door packages.
- 5 System utilizes a heavy-duty car sling which provides uncompromised stability.

## In-Line Drive System

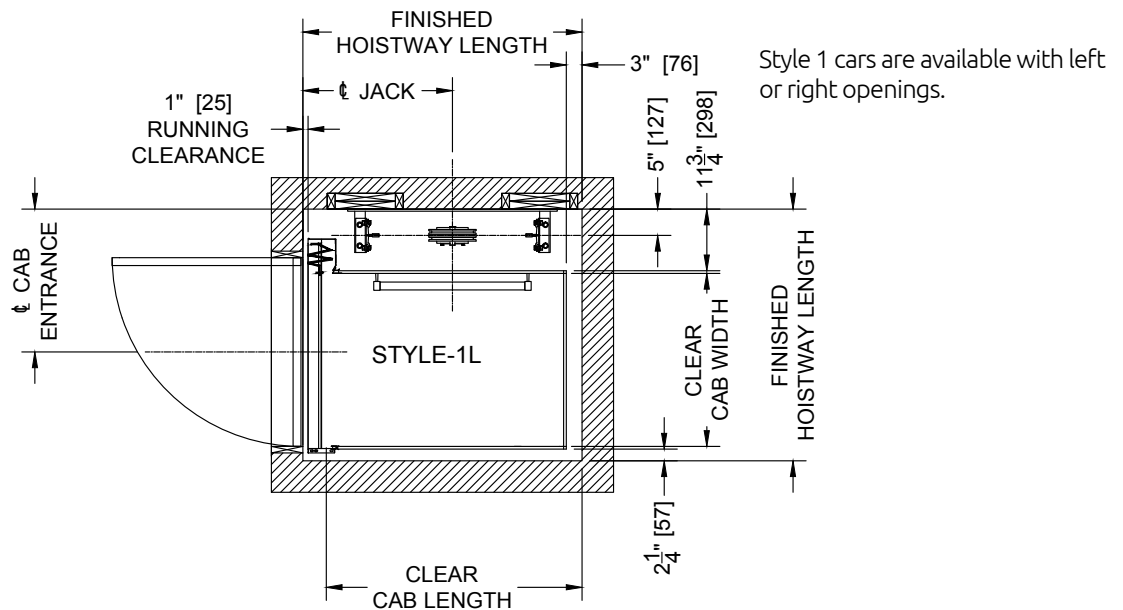


- 1 Controller box and UPS (battery back up) can be mounted at a remote location up to 50 ft. (15.2 m) away from the elevator hoistway. These components may also be located within the hoistway above the rails where permitted (as shown).
- 2 A direct drive electric motor is located above the rail system.
- 3 Counterweights help offset the weight of the elevator cab. Exclusive chain dampening system provides an exceptionally smooth, quiet ride.
- 4 Recommended pit depth: 8" (203 mm) to 10" (254 mm). Shallower depths may be feasible. Deeper pits are required for larger cab sizes and sliding door packages.
- 5 System utilizes a heavy-duty car sling which provides uncompromised stability.

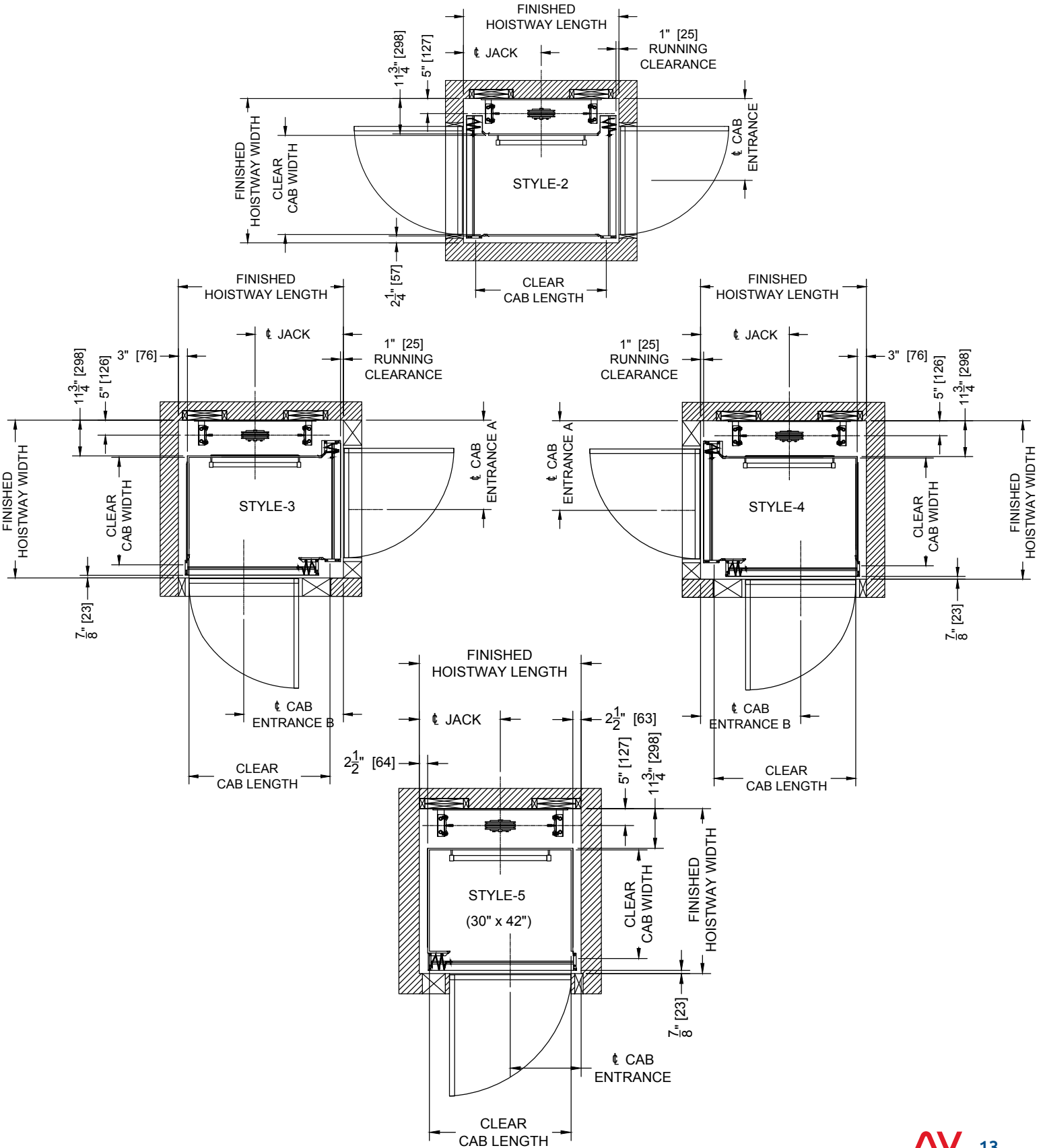
# Dimensions

Standard Door Package - swinging hall door with accordion car gate

Style 1					
Clear Cab Size	Hoistway Width	Hoistway Length	Jack Centerline	Entrance Centerline	
36 x 48	51	56 1/4	30	30 1/4	
36 x 54	51	62 1/4	33	30 1/4	
36 x 60	51	68 1/4	36	30 1/4	
40 x 54	55	62 1/4	33	34 1/4	
42 x 60	57	70 1/4	36 5/8	36 1/4	
48 x 60	63	70 1/4	36 5/8	42 1/4	
Style 2					
Clear Cab Size	Hoistway Width	Hoistway Length	Jack Centerline	Entrance Centerline	
36 x 48	51	54 3/4	27 3/8	30 1/4	
36 x 54	51	60 3/4	30 3/8	30 1/4	
36 x 60	51	66 3/4	33 3/8	30 1/4	
40 x 54	55	60 3/4	30 3/8	34 1/4	
42 x 60	57	73 1/2	36 3/4	36 1/4	
48 x 60	63	73 1/2	36 3/4	42 1/4	
Style 3 & 4					
Clear Cab Size	Hoistway Width	Hoistway Length	Jack Centerline	Entrance A Centerline	Entrance B Centerline
36 x 48	54 7/8	56 1/4	30	30 1/4	34 3/4
36 x 54	54 7/8	62 1/4	33	30 1/4	40 3/4
36 x 60	54 7/8	68 1/4	36	30 1/4	46 3/4
40 x 54	58 7/8	62 1/4	33	34 1/4	40 3/4
42 x 60	60 7/8	70 1/4	36 5/8	36 1/4	48 3/4
48 x 60	66 7/8	70 1/4	36 5/8	42 1/4	48 3/4
Style 5					
Clear Cab Size	Hoistway Width	Hoistway Length	Jack Centerline	Entrance Centerline	
36 x 48	54 7/8	54 1/4	27 1/8	27 1/8	
36 x 54	54 7/8	60 1/4	30 1/8	30 1/8	
36 x 60	54 7/8	66 1/4	33 1/8	33 1/8	
40 x 54	58 7/8	60 1/4	30 1/8	30 1/8	
42 x 60	60 7/8	66 1/4	33 1/8	33 1/8	
48 x 60	66 7/8	66 1/4	33 1/8	33 1/8	



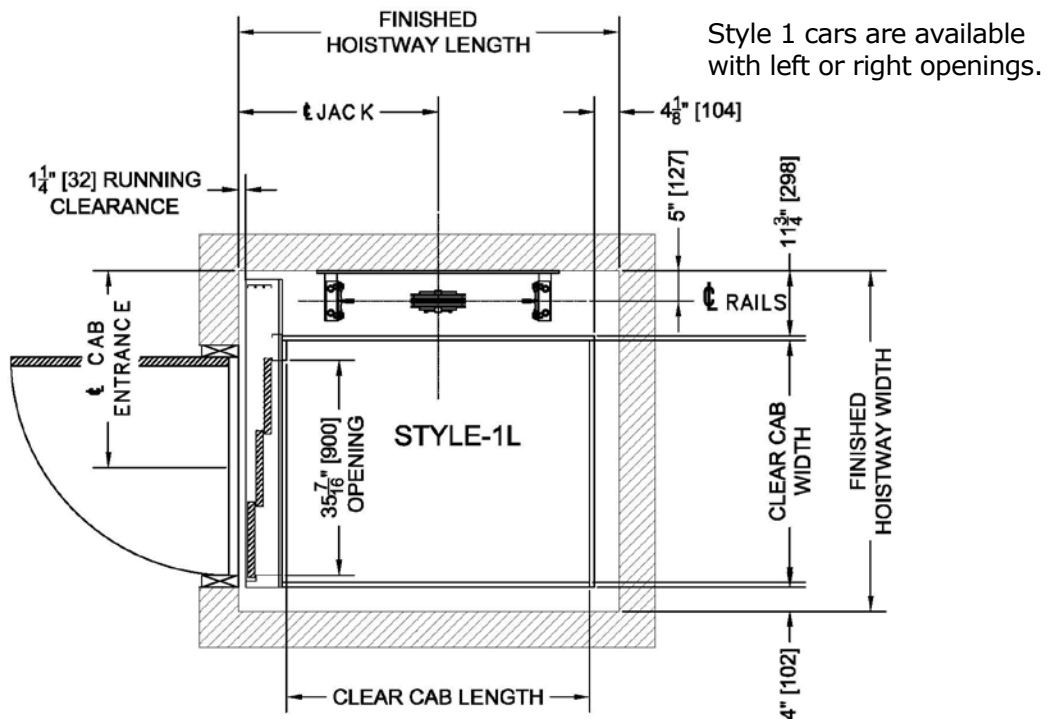
Standard Door Package - swinging hall door with accordion car gate



# Dimensions

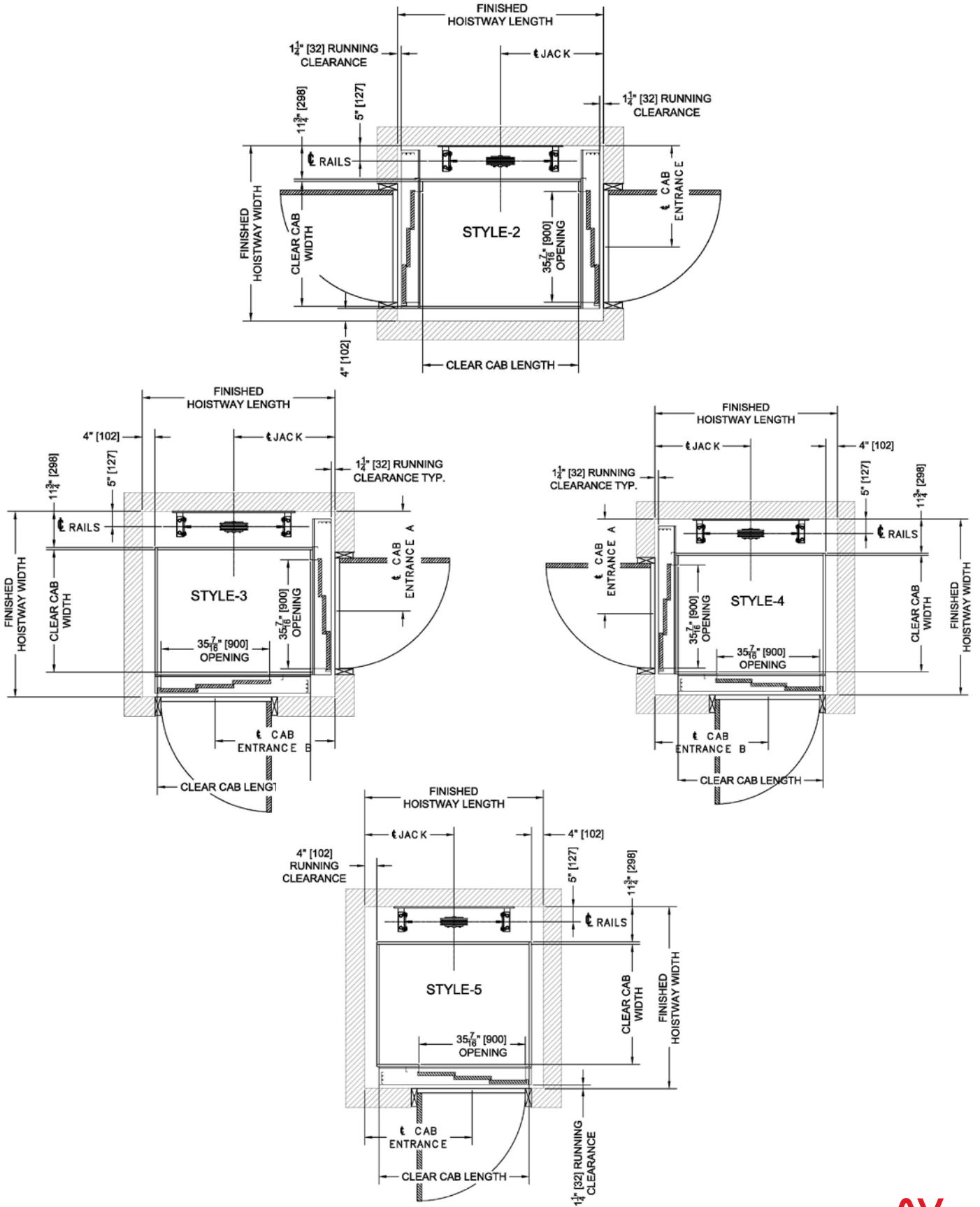
Upgrade Door Package - swinging hall door with sliding elevator car door

Style 1					
Clear Cab Size	Hoistway Width	Hoistway Length	Jack Centerline	Entrance Centerline	
40 x 50	57 1/4	62 3/4	33	33 1/2	
40 x 54	57 1/4	66 3/4	35	33 1/2	
42 x 60	59 1/4	72 3/4	38	35 1/2	
48 x 60	65 1/4	72 3/4	38	41 1/2	
Style 2					
Clear Cab Size	Hoistway Width	Hoistway Length	Jack Centerline	Entrance Centerline	
40 x 50	57 1/4	66	33	33 1/2	
40 x 54	57 1/4	70	35	33 1/2	
42 x 60	59 1/4	76	38	35 1/2	
48 x 60	65 1/4	76	38	41 1/2	
Style 3 & 4					
Clear Cab Size	Hoistway Width	Hoistway Length	Jack Centerline	Entrance A Centerline	Entrance B Centerline
40 x 50	60 1/2	62 3/4	33	33 1/2	39
40 x 54	60 1/2	66 3/4	35	33 1/2	43
42 x 60	62 1/2	72 3/4	38	35 1/2	49
48 x 60	68 1/2	72 3/4	38	41 1/2	49
Style 5					
Clear Cab Size	Hoistway Width	Hoistway Length	Jack Centerline	Entrance Centerline	
40 x 50	60 1/2	59 1/2	29 3/4	35 3/4	
40 x 54	60 1/2	63 1/2	31 3/4	39 3/4	
42 x 60	62 1/2	69 1/2	34 3/4	45 3/4	
48 x 60	68 1/2	69 1/2	34 3/4	45 3/4	





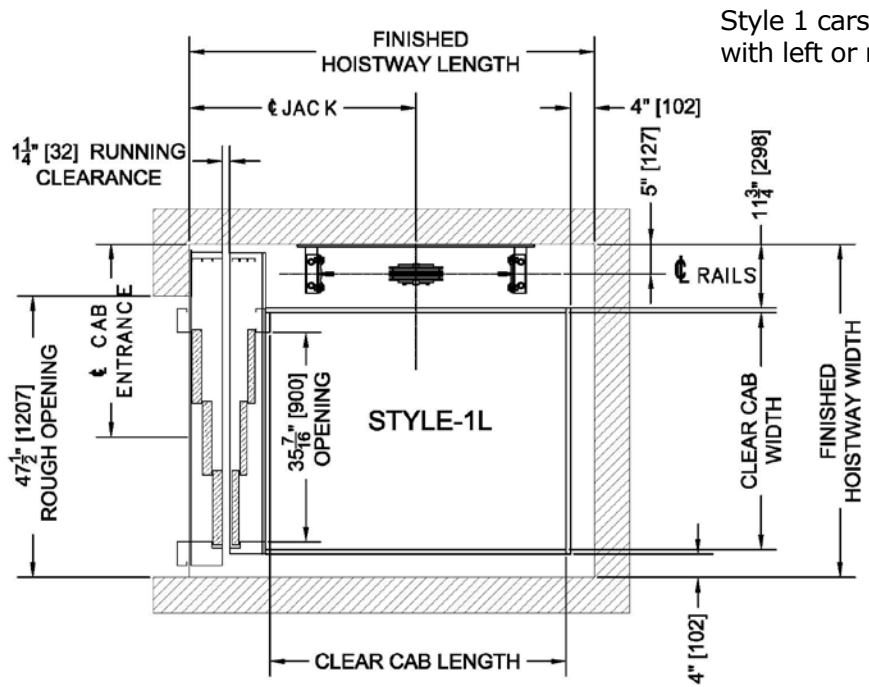
Upgrade Door Package - swinging hall door with sliding elevator car door



# Dimensions

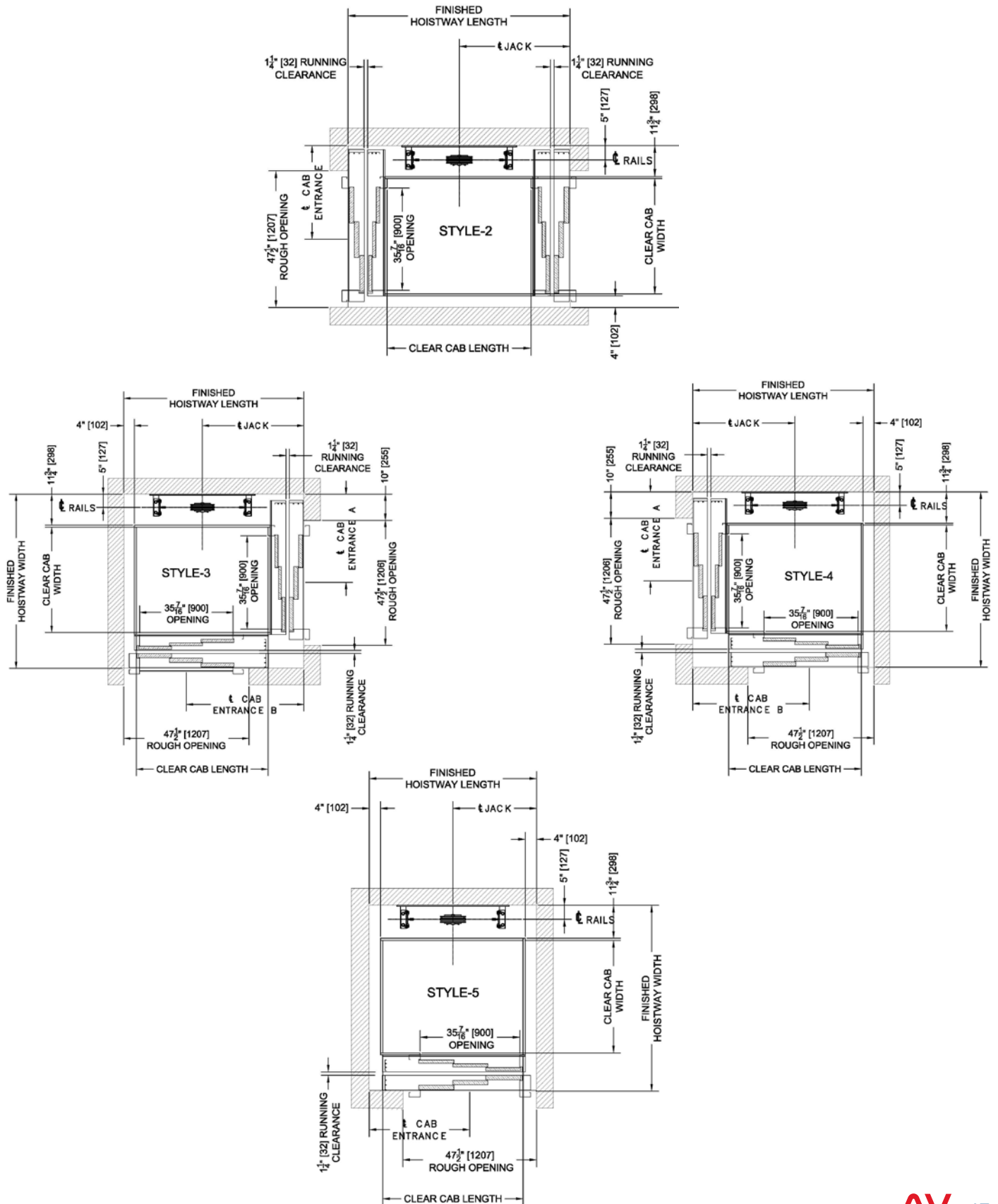
Premium Door Package - sliding elevator hall door with tandem sliding elevator car door

Style 1					
Clear Cab Size	Hoistway Width	Hoistway Length	Jack Centerline	Entrance Centerline	
40 x 50	57 1/4	68 1/4	38 1/2	33 1/2	
40 x 54	57 1/4	72 1/4	40 1/2	33 1/2	
42 x 60	59 1/4	78 1/4	43 1/2	35 1/2	
48 x 60	65 1/4	78 1/4	43 1/2	41 1/2	
Style 2					
Clear Cab Size	Hoistway Width	Hoistway Length	Jack Centerline	Entrance Centerline	
40 x 50	57 1/4	77	38 1/2	33 1/2	
40 x 54	57 1/4	81	40 1/2	33 1/2	
42 x 60	59 1/4	87	43 1/2	35 1/2	
48 x 60	65 1/4	87	43 1/2	41 1/2	
Style 3 & 4					
Clear Cab Size	Hoistway Width	Hoistway Length	Jack Centerline	Entrance A Centerline	Entrance B Centerline
40 x 50	66	68 1/4	38 1/2	33 1/2	44 1/2
40 x 54	66	72 1/4	40 1/2	33 1/2	48 1/2
42 x 60	68	78 1/4	43 1/2	35 1/2	54 1/2
48 x 60	74	78 1/4	43 1/2	41 1/2	54 1/2
Style 5					
Clear Cab Size	Hoistway Width	Hoistway Length	Jack Centerline	Entrance Centerline	
40 x 50	66	59 1/2	29 3/4	35 3/4	
40 x 54	66	63 1/2	31 3/4	39 3/4	
42 x 60	68	69 1/2	34 3/4	45 3/4	
48 x 60	74	69 1/2	34 3/4	45 3/4	



Style 1 cars are available with left or right openings.

Premium Door Package - sliding elevator hall door with tandem sliding elevator car door



# Specifications

<b>Overhead Clearances Required:</b>	Hydraulic Drive	In-Line Drive	In-Line Drive w/Controller at top of hoistway
84" Cab height - standard door pkg.	96" (2438 mm)	96" (2438 mm)	108" (2743 mm)
84" Cab height - upgrade / premium door pkg.	96" (2438 mm)	96" (2438 mm)	114" (2896 mm)
96" Cab height - standard door pkg.	108" (2743 mm)	108" (2743 mm)	120" (3048 mm)
96" Cab height - upgrade / premium door pkg.	N/A	N/A	N/A

**Rated Load:** Standard 750 lbs (340 kg) or 1,000 lbs (455 kg)

**Speed:** 40 ft/min (12.2 meters/min) nominal speed

**Travel Range:** Up to 50 feet (15.2 m)

**Stops:** Up to 6 stops

**Standard Controls:** Fully automatic push button operation | Digital floor indicator in car | Automatic car lighting upon entry | Illuminated push buttons

**Standard Safety Features:** Battery-powered emergency lowering | Safety brake system | Car door and hall door safety monitoring system | Emergency stop and alarm

**Hydraulic Drive System:** 1:2 cable hydraulic drive | Quiet submersed pump and motor | Two-speed valve for smooth start and stop

**In-Line Drive System:** Geared direct drive motor | Variable frequency drive for smooth start and stop | Speed monitor

**Power Requirements:** 230 VAC single phase | Optional 208 VAC 3 phase (Hydraulic Drive only)

**Popular Options:** Premium fixtures | Integral emergency telephone | 3-speed sliding doors

**Flooring:** By others to match the home decor | Minimum 1/8" thick | Maximum 3/4" thick

**Warranty:** 2 year standard warranty | Optional additional 5 year extended warranty to 7 years (North America Only)





**Garaventa Lift**

**T** 604 594 0422 · **T** 800 663 6556 (toll free North America)  
**E** [info@garaventalift.com](mailto:info@garaventalift.com) · **I** [www.garaventalift.com](http://www.garaventalift.com)

Authorized Garaventa Lift Representative

© Garaventa Lift. As we are continuously improving our products, specifications outlined in this brochure are subject to change without notice.

Printed in Canada  
37156-X-PB